



This manual is for reference and historical purposes, all rights reserved.

This page is copyright© by M. Butkus, NJ.

This page may not be sold or distributed without the expressed permission of the producer

I have no connection with any camera company

On-line camera manual library

This is the full text and images from the manual. This may take 3 full minutes for the PDF file to download.

If you find this manual useful, how about a donation of \$3 to: M. Butkus, 29 Lake Ave., High Bridge, NJ 08829-1701 and send your e-mail address so I can thank you. Most other places would charge you \$7.50 for a electronic copy or \$18.00 for a hard to read Xerox copy.

This will allow me to continue to buy new manuals and pay their shipping costs.

It'll make you feel better, won't it?

**If you use Pay Pal or wish to use your credit card,
click on the secure site on my main page.**

PayPal Name Lynn@butkus.org

APRIL 1955

PARTS LIST No. 6201

KODAK SYNCHRO-RAPID 800 SHUTTER

WITH

Kodak Anastar Lens, 101mm $f/4.5$ for Kodak Tourist Camera

Kodak Ektar Lens, 78mm $f/3.5$ for Kodak Chevron Camera

Kodak Ektar Lens, 101mm $f/4.5$ for Graflex Cameras

Kodak Ektar Lens, 101mm $f/4.5$ -Catalog listed shutter

This revised parts list supersedes parts list No. 1-5250. Shutters covered by this list are identified by symbols A, B, C, and D. For key to symbols refer to page 9. Parts which are common to all shutters are identified by part name and number only. Parts not common to all shutters are identified by the symbol for the individual shutter.



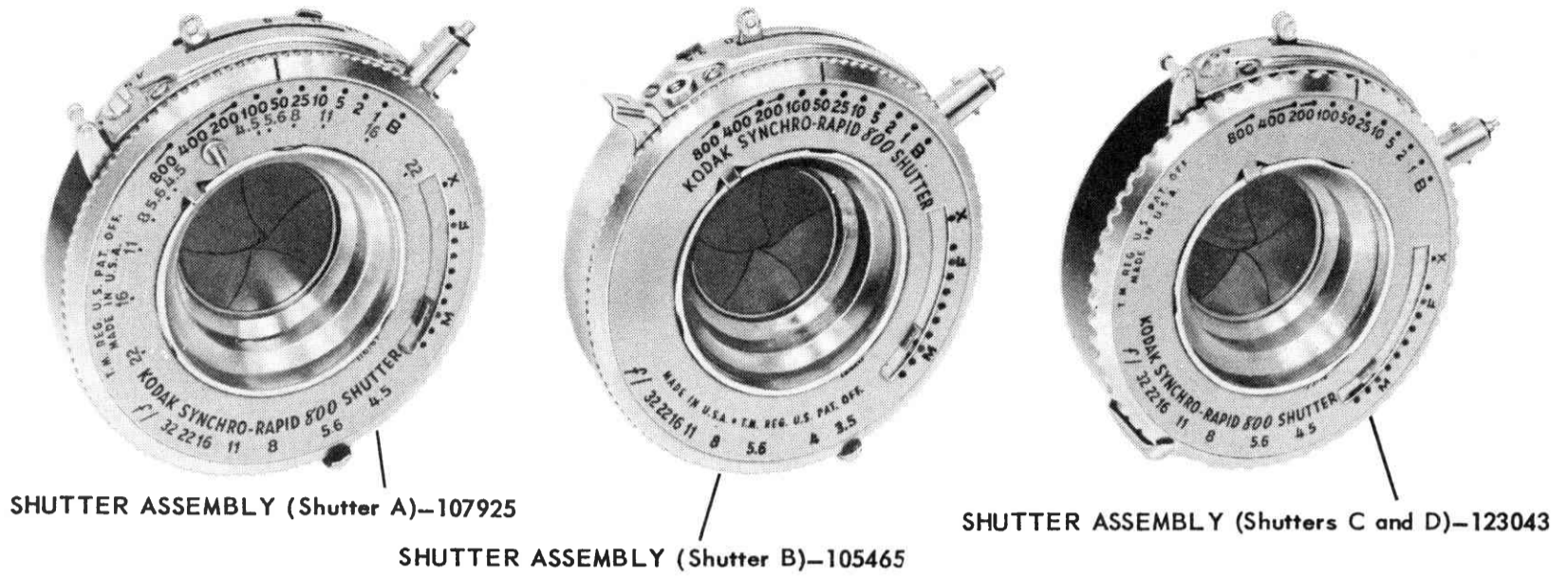
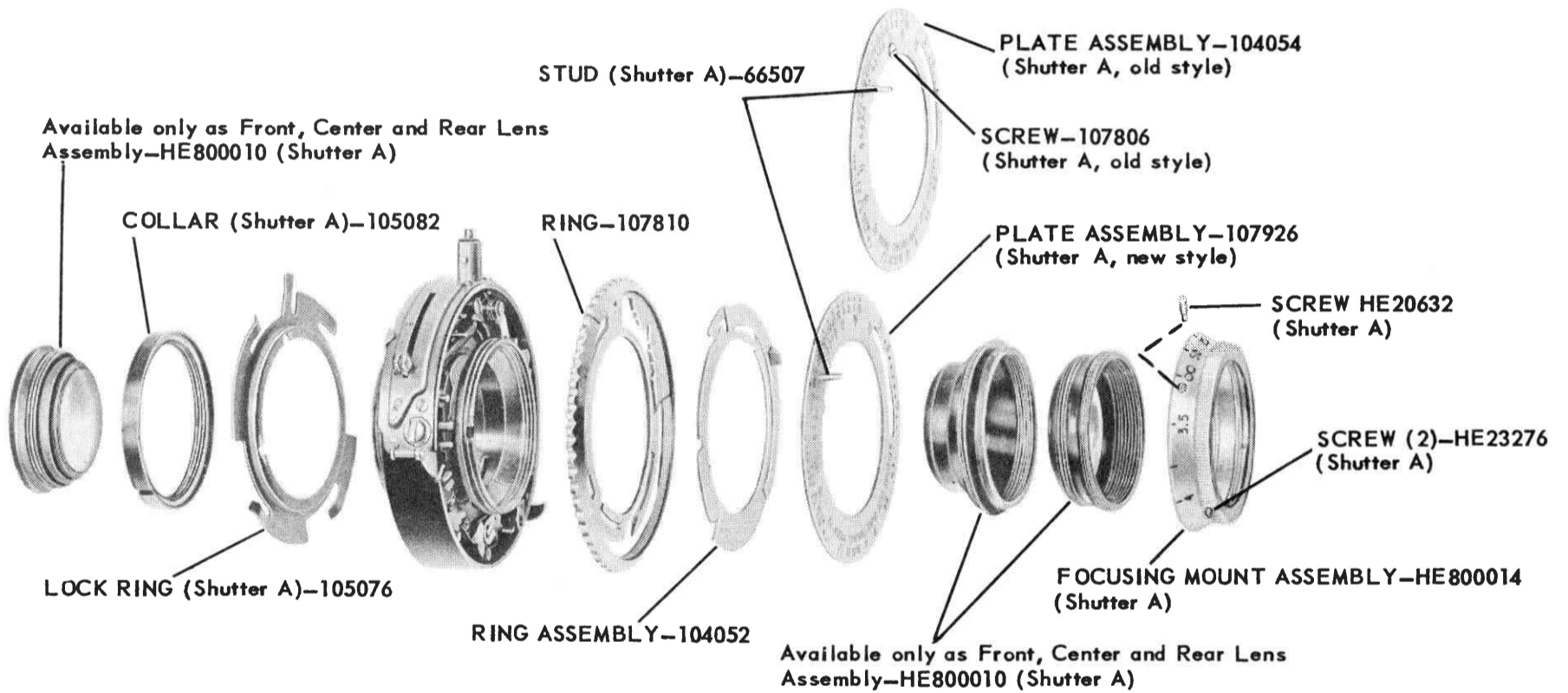
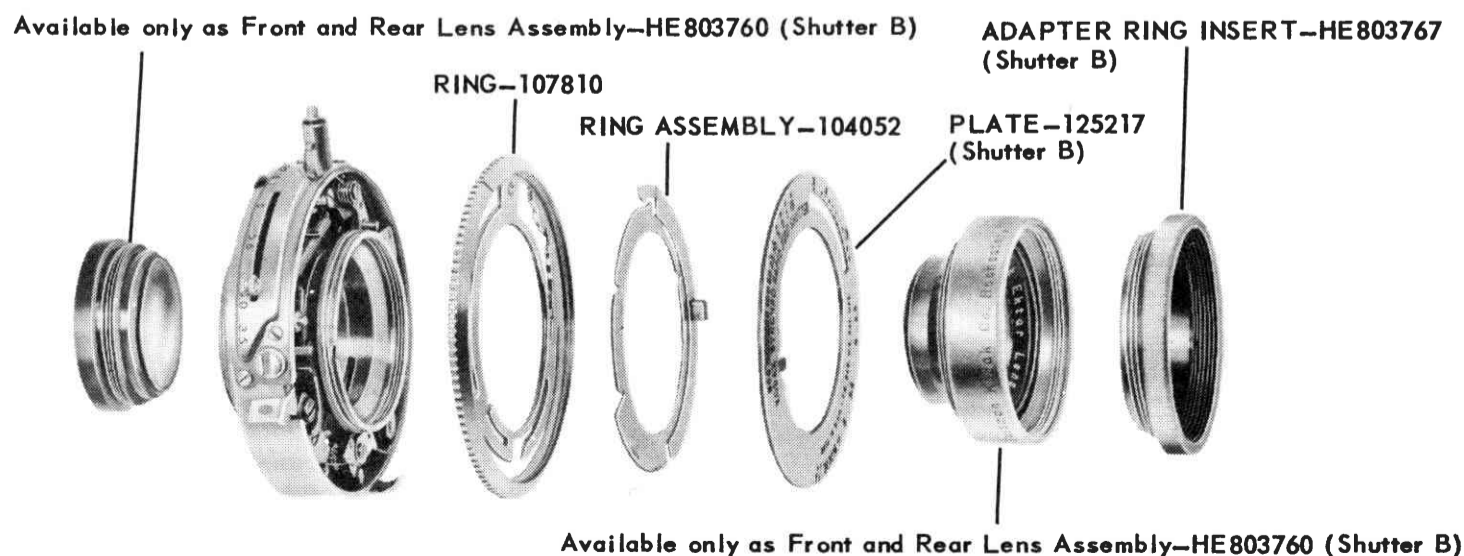


Figure 1



SHUTTER (A) PARTS

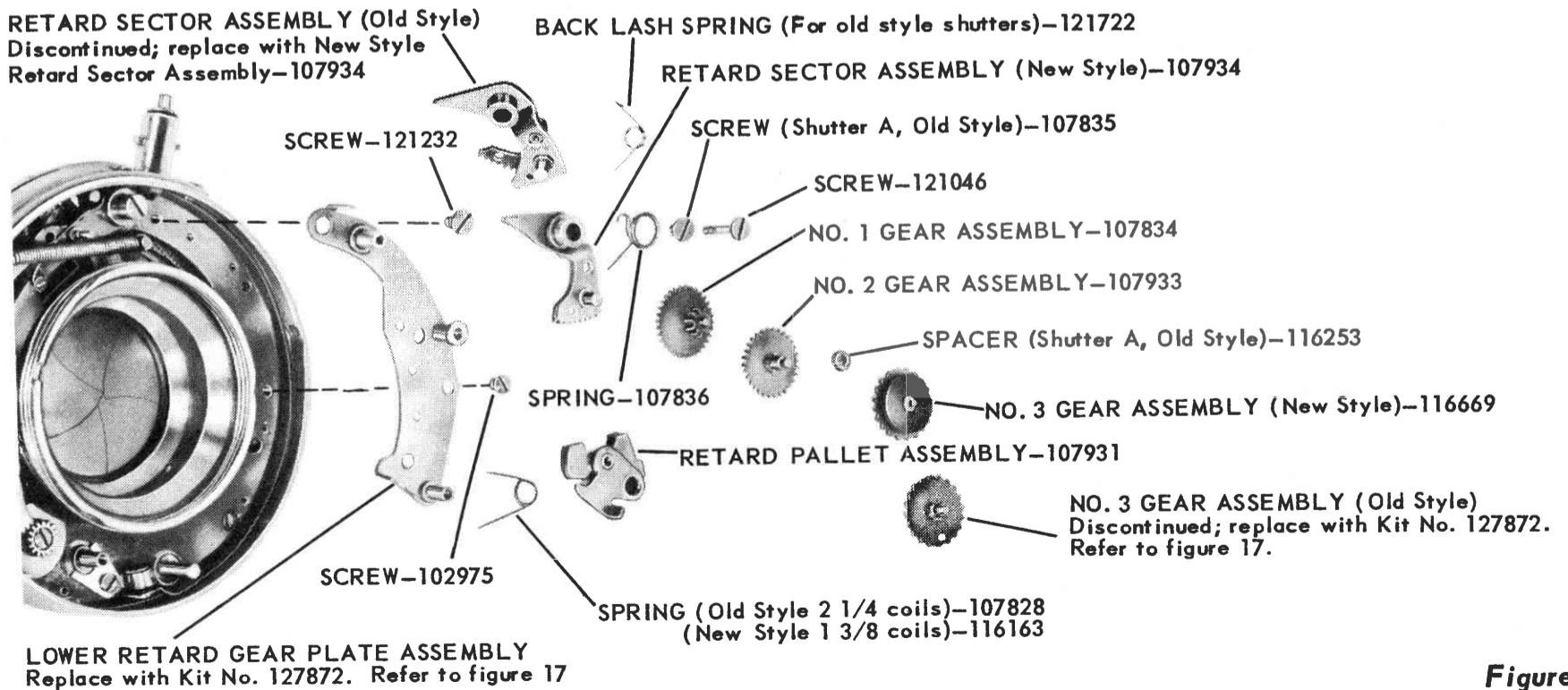
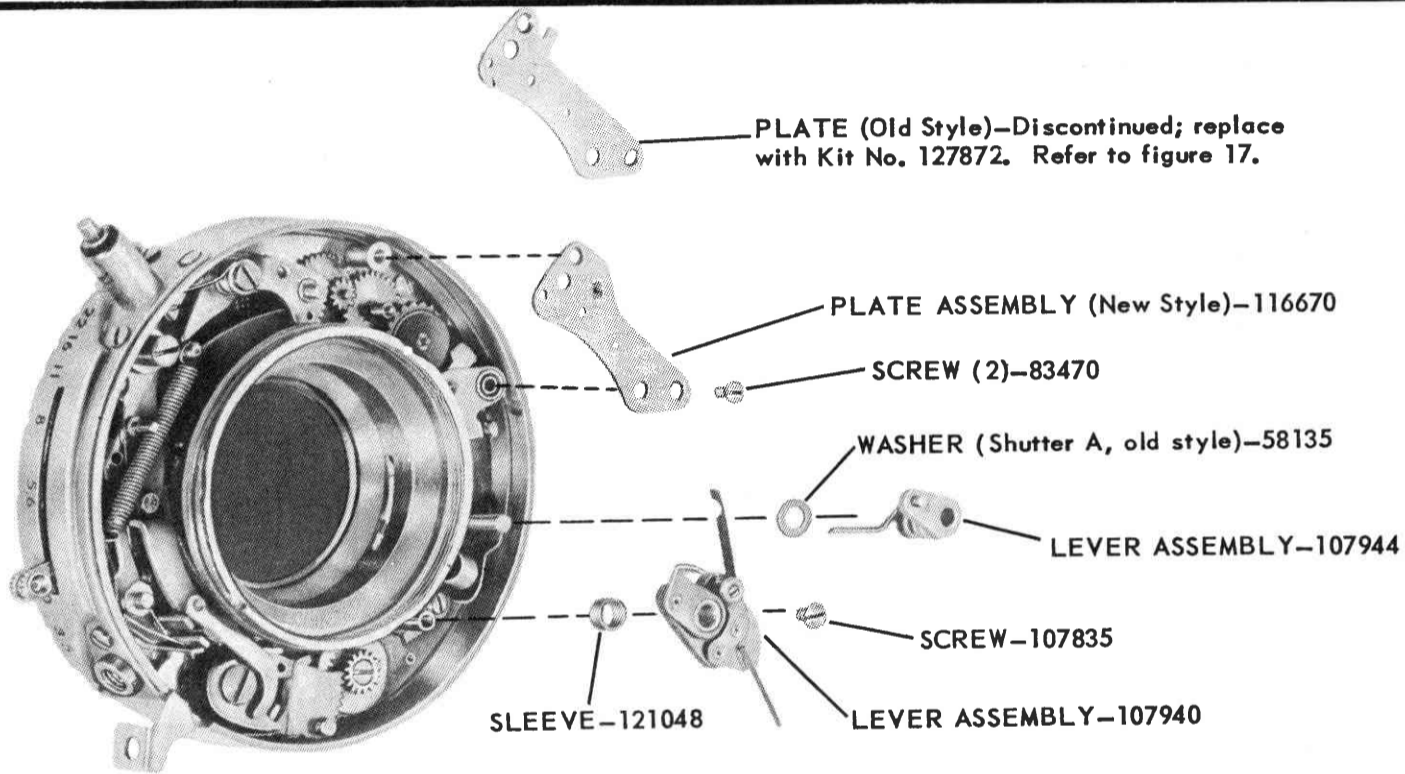
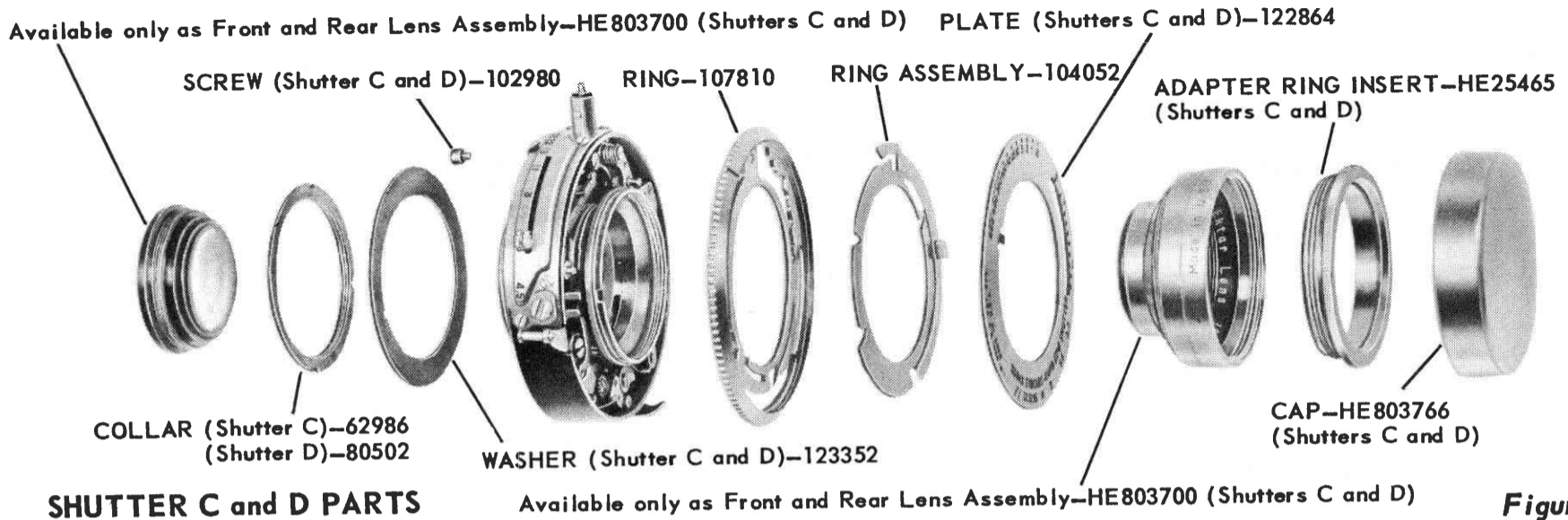
Figure 2



SHUTTER (B) PARTS

Figure 3

KODAK SYNCHRO-RAPID 800 SHUTTER



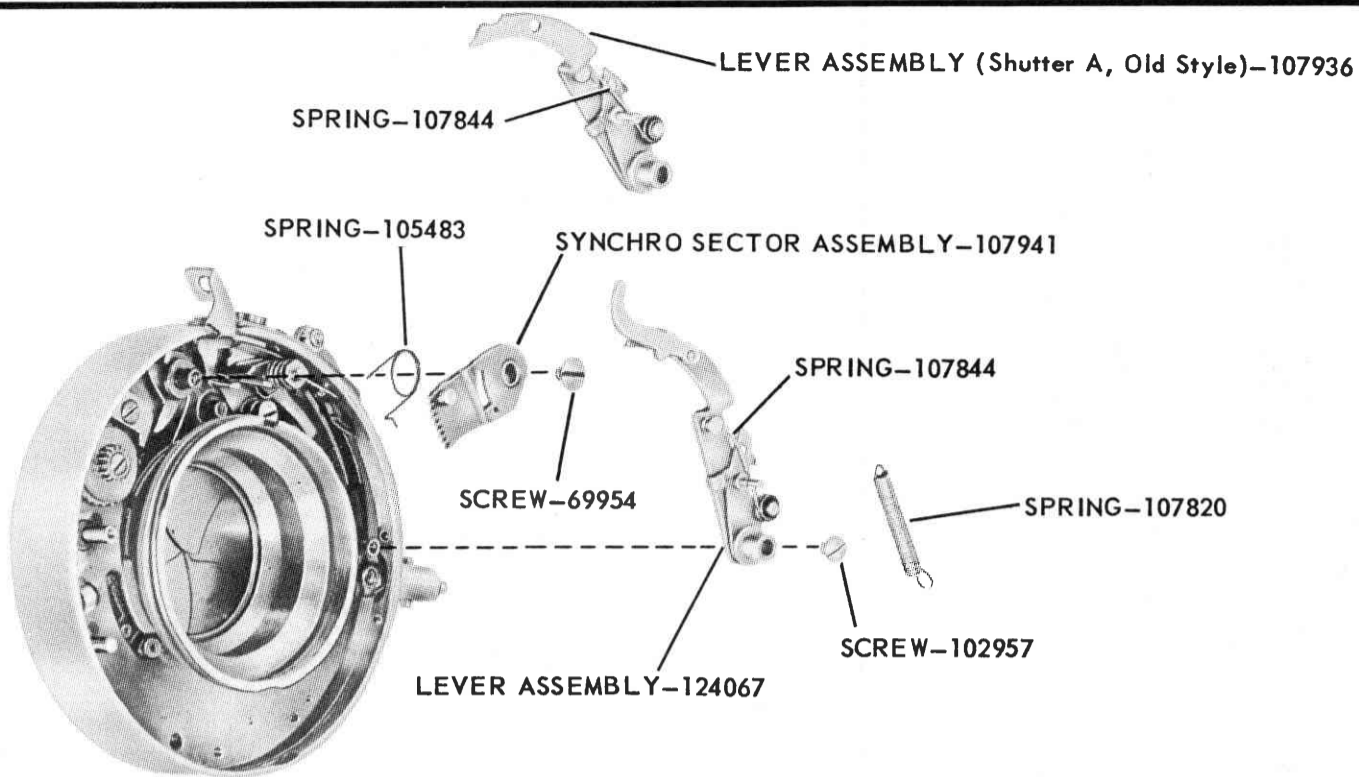


Figure 7

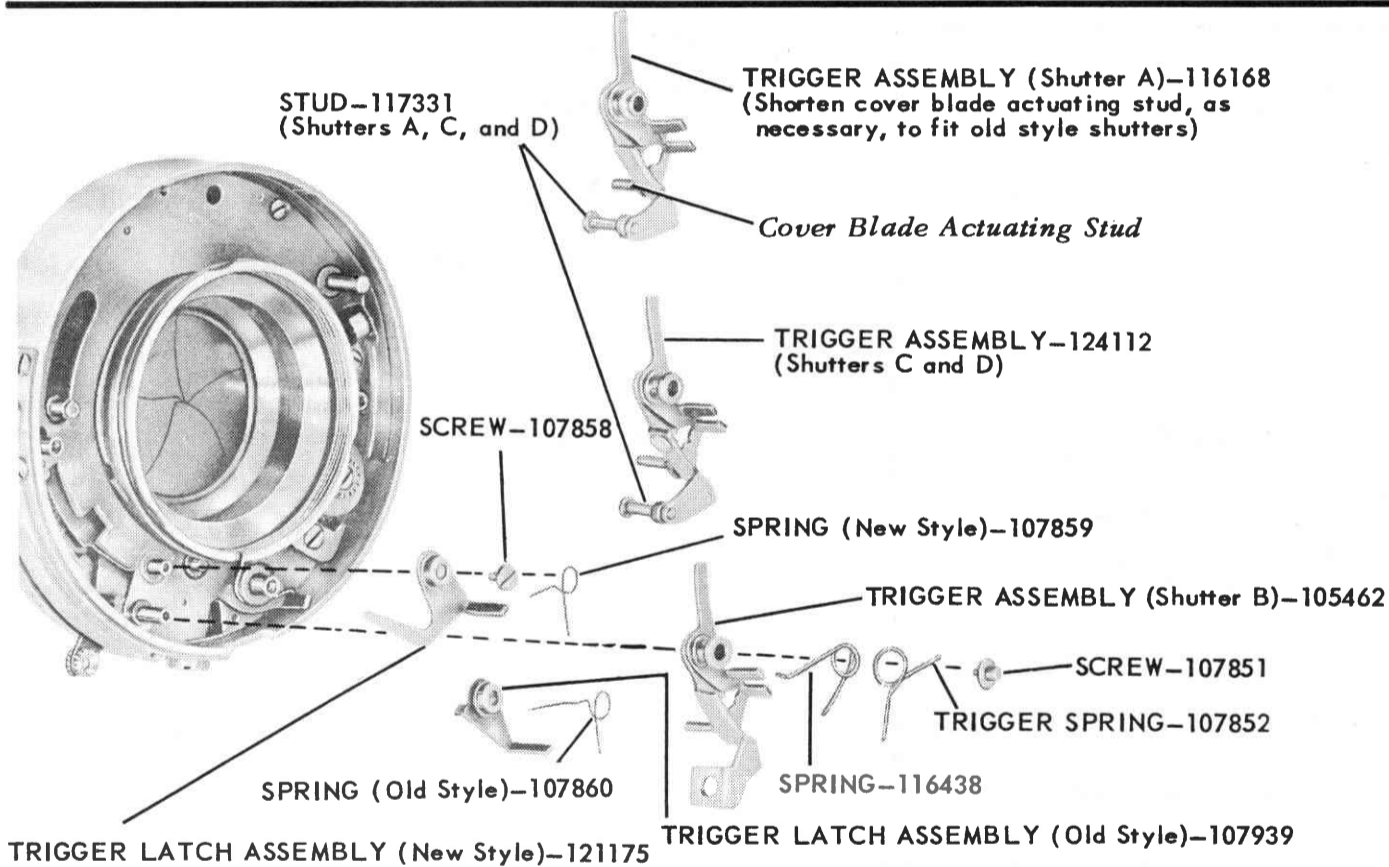


Figure 8

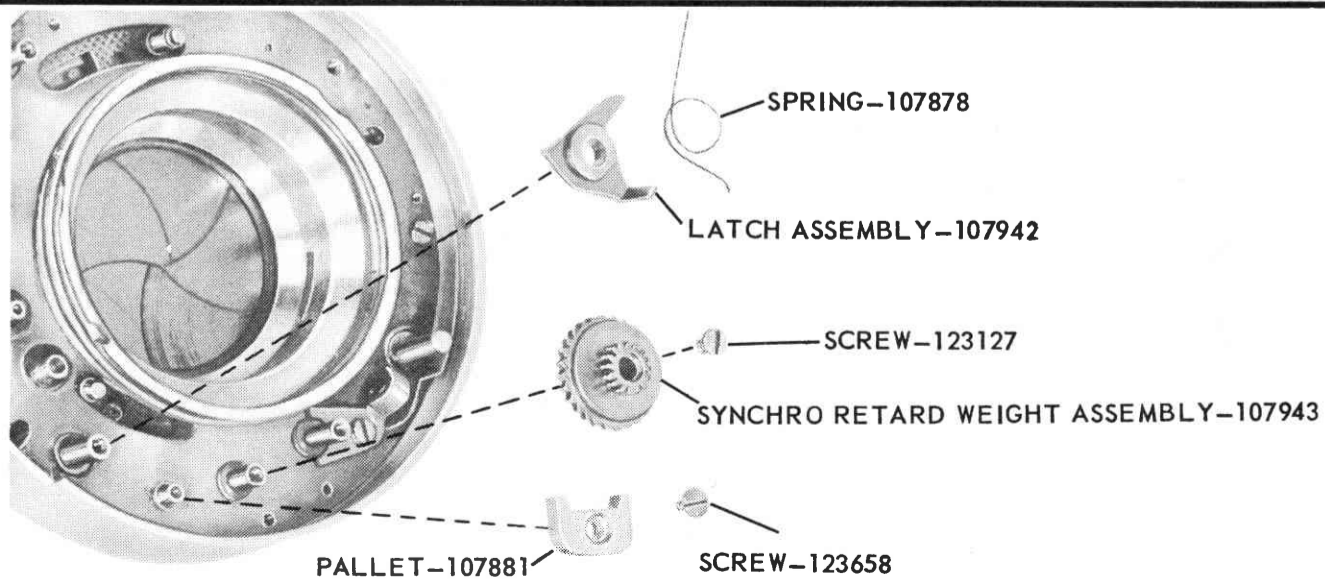


Figure 9

KODAK SYNCHRO-RAPID 800 SHUTTER

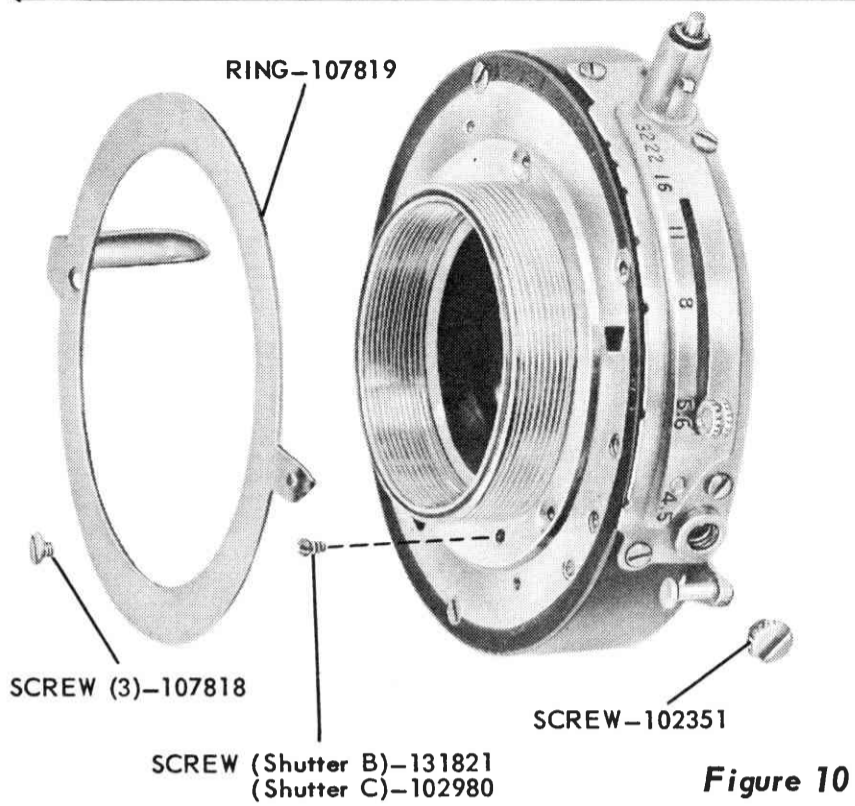


Figure 10

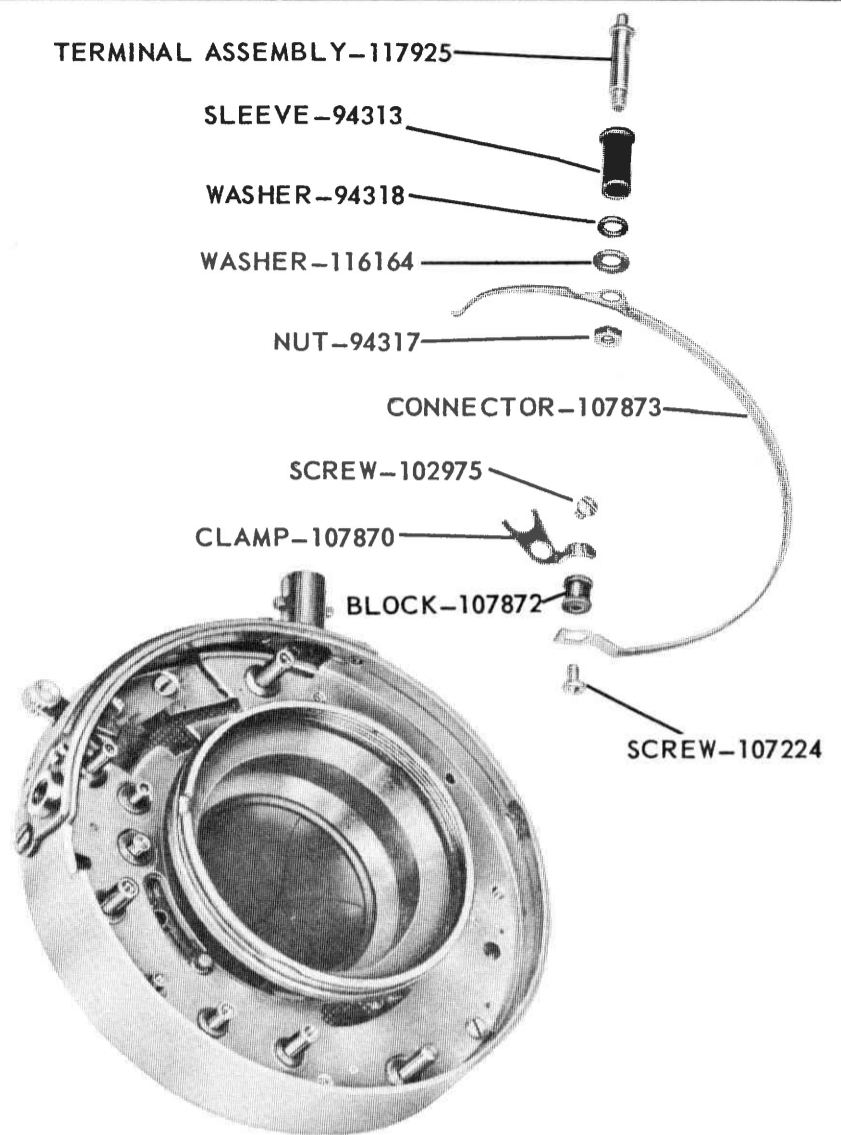


Figure 11

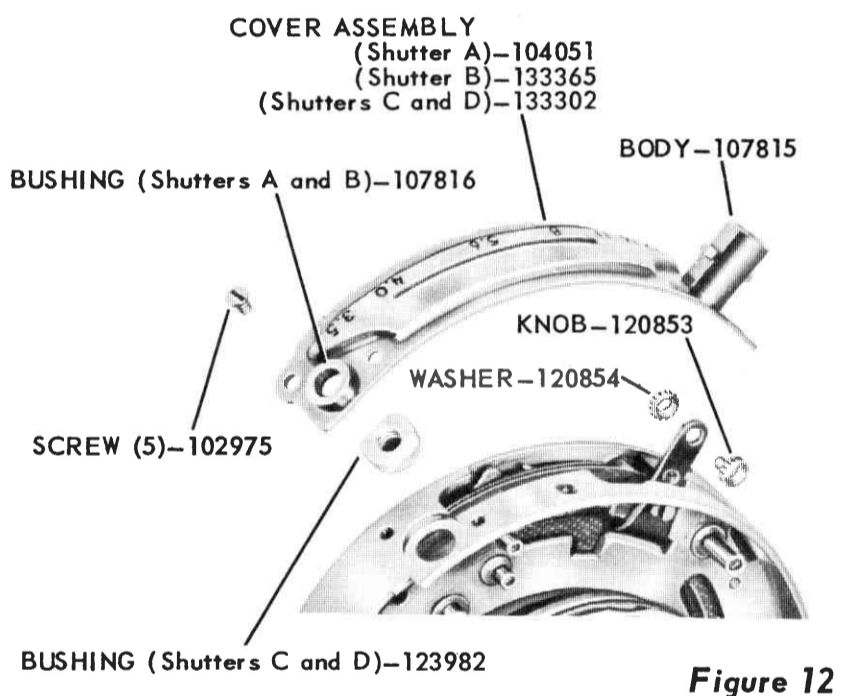


Figure 12

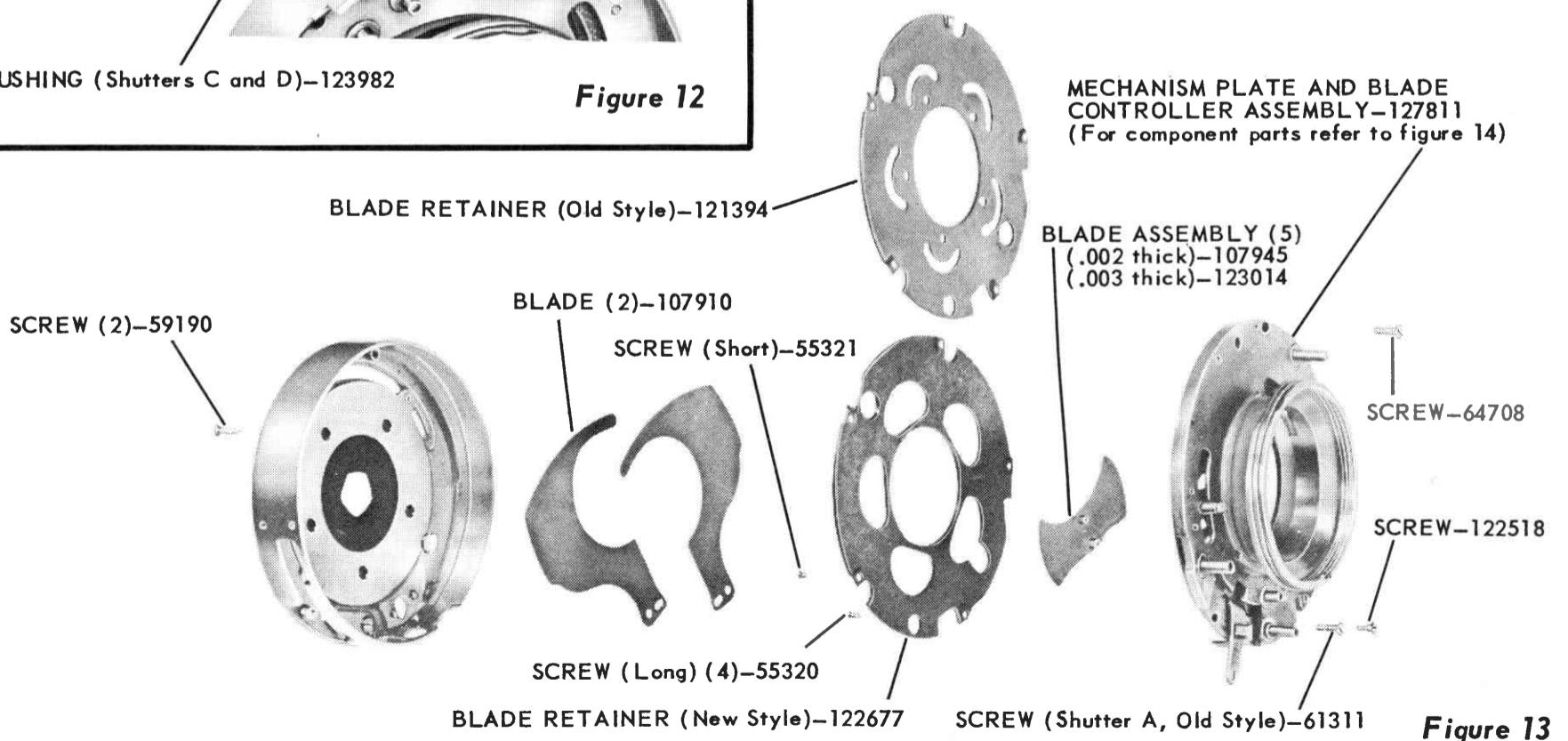


Figure 13

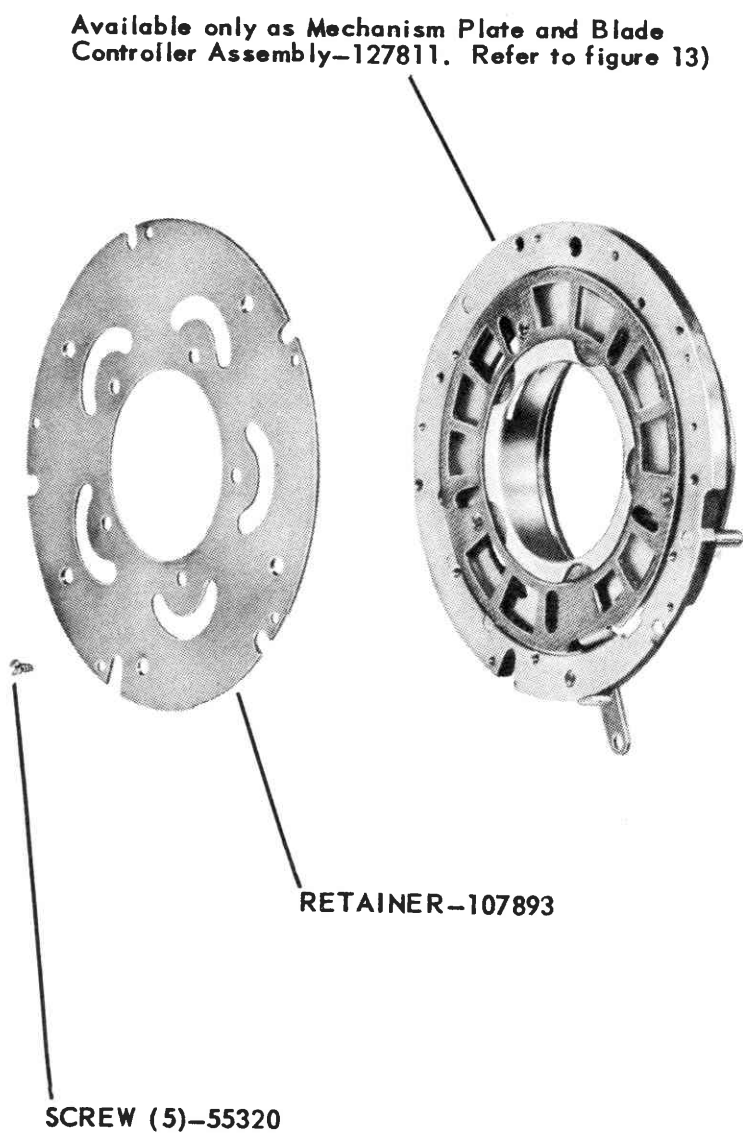


Figure 14

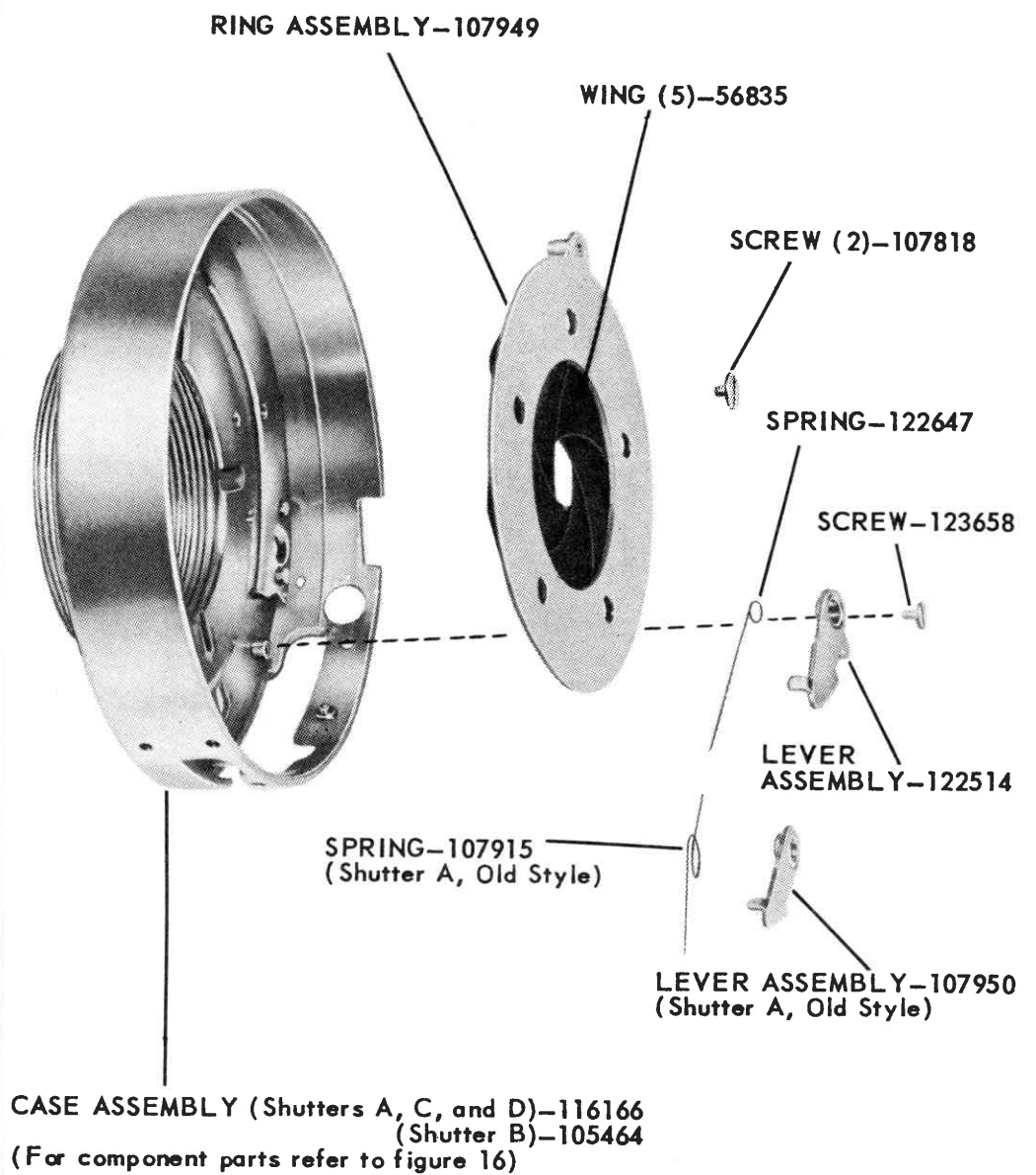


Figure 15

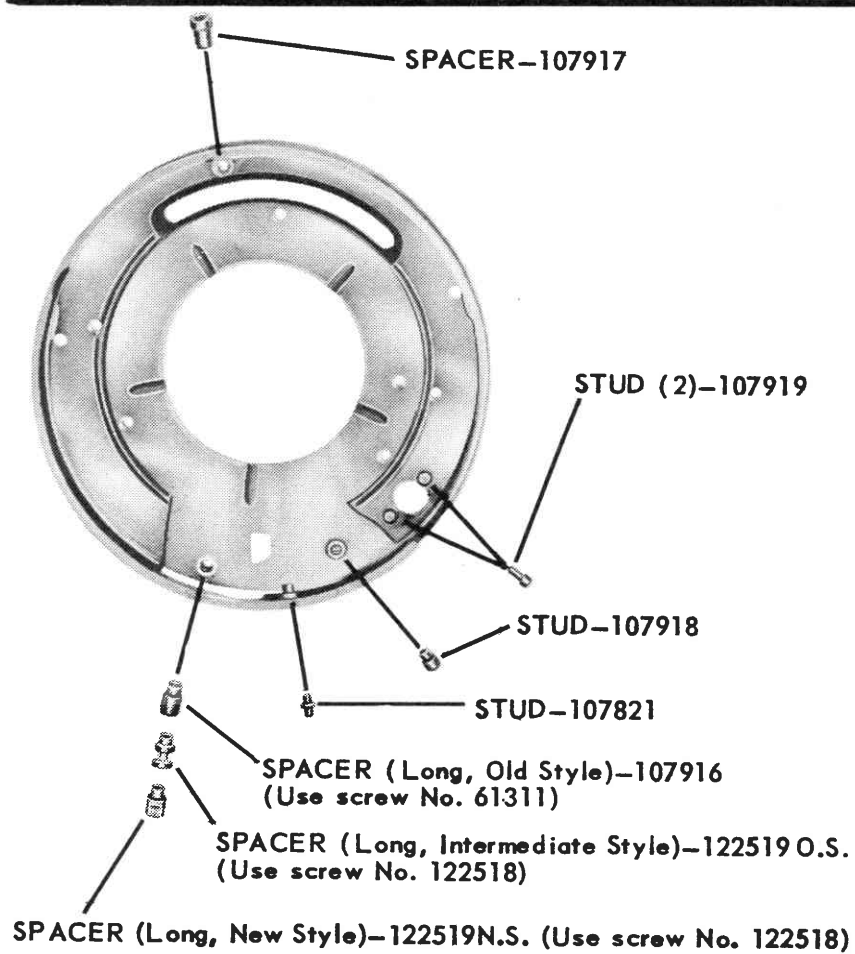


Figure 16

KIT NO. 127872

Necessary parts for replacing Old Style Upper and Lower Retard Gear Plates and Old Style No. 3 Pinion Assembly.

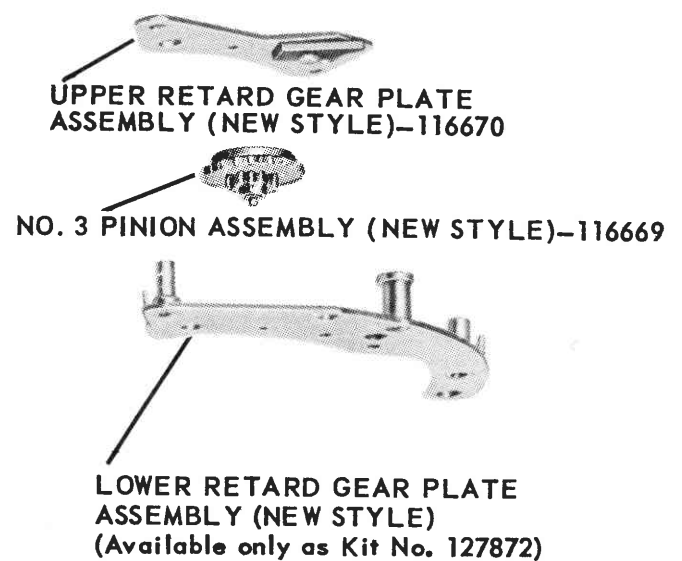


Figure 17

SERVICE TOOLS

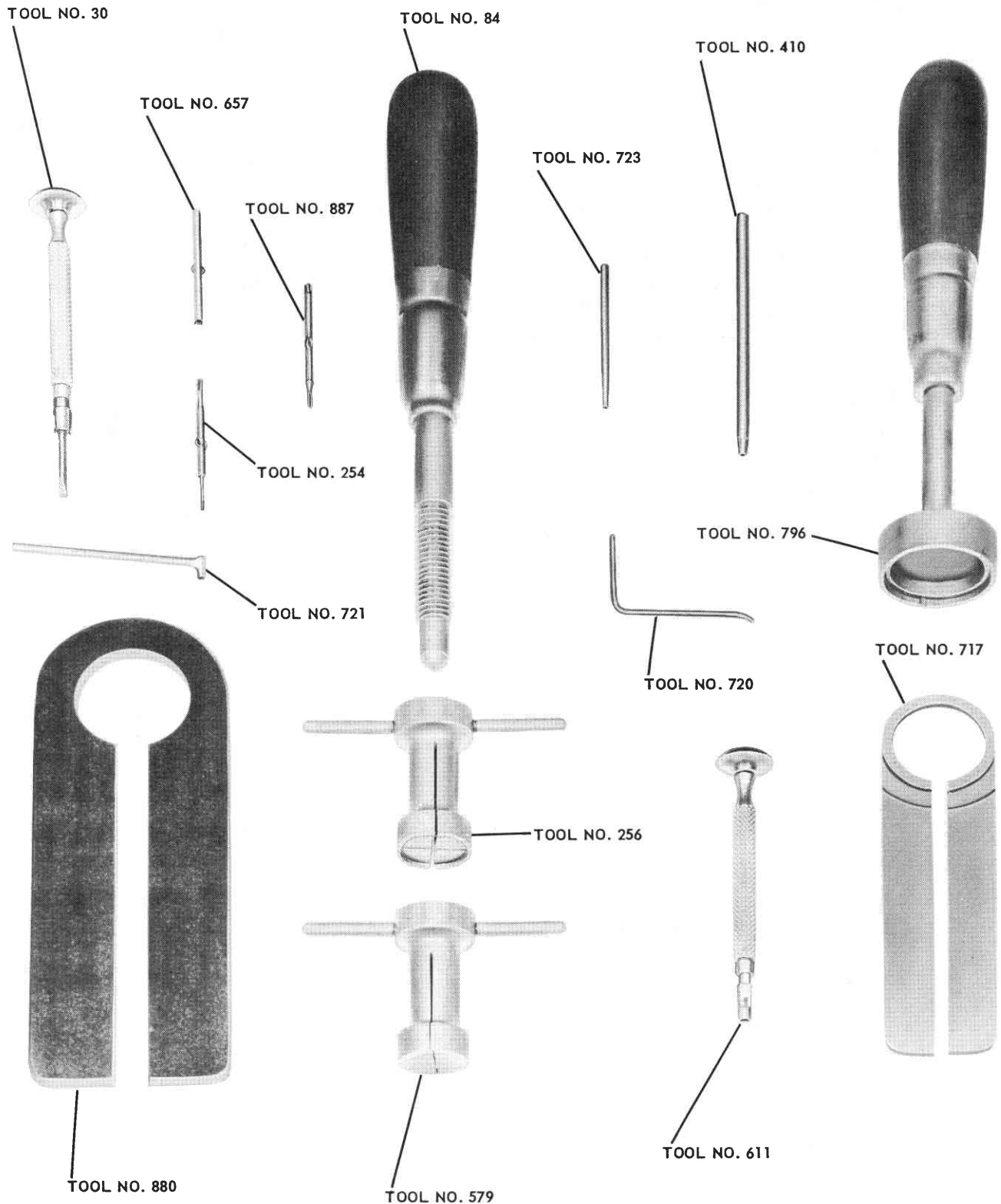


Figure 18

KEY TO SYMBOLS**KODAK SYNCHRO-RAPID 800 SHUTTER**

with

A Kodak Anastar Lens, 101mm f/4.5 for Kodak Tourist Camera**B Kodak Ektar Lens, 78mm f/3.5 for Kodak Chevron Camera****C Kodak Ektar Lens, 101mm f/4.5 for Graflex Cameras****D Kodak Ektar Lens, 101mm f/4.5-Catalog listed shutter**

FIG.	PART NO.	SHUTTERS	PART NAME	REQD
18	30		Jewelers' Screwdriver	1
18	84		Handle (For tools No. 256 and 579)	1
18	254		Blade - Jewelers' screwdriver (For adjusting contact lever assembly, use with tool Nos. 30 and 721)	1
18	256	B	Wrench - Expanding (For removing rear lens from Chevron camera shutter, use with tool No. 84).....	1
18	410	A	Wrench - Hexagon socket, 1/16 inch (For focus mount stop screw on Tourist camera shutters)	1
18	579	A C D	Wrench - Expanding (For removing rear lenses from Tourist, Graflex and Catalog listed shutters, use with tool No. 84)	1
18	611		Wrench - Hexagon socket, 1/8 inch (For trigger screw).....	1
18	657		Blade - Jewelers' screwdriver (For inner terminal assembly, use with tool No. 30).....	1
18	717	A	Wrench - Contracting (For removing front lens assembly on Tourist camera shutters)	1
18	720		Tool - Bending (For adjusting release lever latch assembly).....	1
18	721		Wrench - Special socket (For adjusting contact lever assembly, use with tool Nos. 30 and 721)	1
18	723		Tool - Bending (For adjusting trigger stud).....	1
18	796	A	Wrench - Shutter retaining collar (For Tourist cameras)	1
18	880	B C D	Wrench - Contracting (For removing front lens assemblies from Chevron, Graflex and Catalog listed shutters).....	1
18	887		Blade - Jewelers' screwdriver (For small fulcross screws, use with tool No. 30)	1
2	HE20632	A	Screw - Focus mount stop	1
2	HE23276	A	Screw - Focus mount lock	2
4	HE25465	C D	Insert - Adapter ring.....	1
13,14	55320		Screw - Blade retainer to mechanism plate (long) (4), Blade controller plate to mechanism plate (5)	9
13	55321		Screw - Blade retainer to mechanism plate (short)	1
15	56835		Wing - Diaphragm	5
5	58135	*A	Washer - High speed spring lever assembly spacing.....	1
13	59190		Screw - Case to mechanism plate.....	2
13	61311	*A	Screw - Mechanism plate to long spacer	1
4	62986	C	Collar - Shutter retaining.....	1
13	63708		Screw - Mechanism plate to short spacer	1
2	66507	A	Stud - Focus stop	1
7	69954		Screw - Synchro sector.....	1
4	80502	D	Collar - Shutter retaining.....	1
5	83470		Screw - Upper retard gear plate to mechanism plate stud.....	2
11	94313		Sleeve - Inner terminal insulating	1
11	94317		Nut - Terminal.....	1
11	94318		Washer - Terminal (small).....	1
10	102351		Screw - Cable release opening	1
7	102957		Screw - Release lever	1

Always give PART NUMBER and NAME when ordering parts

KODAK SYNCHRO-RAPID 800 SHUTTER

FIG.	PART NO.	SHUTTERS	PART NAME	REQD
6,11,12	102975		Screw - Lower retard gear plate to mechanism plate (1), Terminal block clamp (1), Setting lever cover to case (5)	7
4,10	102980	C D	Screw - Shutter locating	1
12	104051	A	Setting Lever Cover Assembly	1
2,3,4	104052		Synchro Flash Control Ring Assembly	1
2	104054	*A	Speed and Diaphragm Index Plate Assembly	1
2	105076	A	Ring - Shutter lock	1
2	105082	A	Collar - Shutter retaining	1
8	105462	B	Trigger Assembly	1
15	105464	B	Case Assembly	1
1	105465	B	Shutter Assembly (without lenses)	1
7	105483		Spring - Synchro sector actuating	1
11	107224		Screw - Terminal block	1
2	107806	*A	Screw - Speed and diaphragm index plate	1
2,3,4	107810		Ring - Speed control	1
12	107815		Body - Terminal	1
12	107816	A B	Bushing - Cable release	1
10,15	107818		Screw - Diaphragm indicator ring (3), Diaphragm actuating ring assembly to case (2)	5
10	107819		Ring - Diaphragm indicator	1
7	107820		Spring - Main	1
16	107821		Stud - Main spring	1
6	107828		Spring - Retard pallet (old style)	1
6	107834		No. 1 Gear Assembly	1
5,6	107835		Screw - Contact lever (1), Retard sector (shutter A, old style) (1)	2
6	107836		Spring - Retard sector	1
7	107844		Spring - Release lever latch	1
8	107851		Screw - Trigger	1
8	107852		Spring - Trigger	1
8	107858		Screw - Trigger latch	1
8	107859		Spring - Release lever (new style)	1
8	107860		Spring - Release lever (old style)	1
11	107870		Clamp - Terminal block	1
11	107872		Block - Terminal	1
11	107873		Connector - Long	1
9	107878		Spring - Synchro sector latch	1
9	107881		Pallet - Synchro retard	1
14	107893		Retainer - Blade-controller	1
13	107910		Blade	2
15	107915	*A	Spring - Snubber lever	1
16	107916	A C D	Spacer - Mechanism plate (long) (old style)	1
16	107917		Spacer - Mechanism plate (short)	1
16	107918		Stud - Snubber lever	1
16	107919		Stud - Cover blade	2
1	107925	A	Shutter Assembly (without lenses)	1
2	107926	†A	Speed and Diaphragm Index Plate Assembly	1
6	107931		Retard Pallet Assembly	1
6	107933		No. 2 Gear Assembly	1
6	107934		Retard Sector Assembly (new style)	1
7	107936	*A	Release Lever Assembly	1
8	107939		Trigger Latch Assembly (old style)	1
5	107940		Contact Lever Assembly	1
7	107941		Synchro Sector Assembly	1
9	107942		Synchro Sector Latch Assembly	1
9	107943		Synchro Retard Weight Assembly	1
5	107944		High Speed Spring Lever Assembly	1
13	107945		Blade Assembly (.002 thick)	5

FIG.	PART NO.	SHUTTERS	PART NAME	REQD
15	107949		Diaphragm Actuating Ring Assembly.....	1
15	107950	*A	Snubber Lever Assembly.....	1
6	116163		Spring - Retard pallet (new style).....	1
11	116164		Washer - Terminal (large).....	1
15	116166	A C D	Case Assembly.....	1
8	116168	A	Trigger Assembly - (Shorten cover blade actuating stud as necessary to fit old style shutter).....	1
6	116253	*A	Spacer - No. 2 gear assembly.....	1
8	116438		Spring - Bulb lever.....	1
6,17	116669		No. 3 Gear Assembly (new style).....	1
5,17	116670		Upper Retard Gear Plate Assembly.....	1
8	117331	A C D	Stud - Shutter release strap.....	1
11	117925		Inner Terminal Assembly.....	1
12	120853		Knob - Setting.....	1
12	120854		Washer - Setting knob.....	1
6	121046		Screw - Retard sector.....	1
5	121048		Sleeve - Contact lever bushing.....	1
8	121175		Trigger Latch Assembly (new style).....	1
6	121232		Screw - Lower retard gear plate to mechanism plate.....	1
13	121394		Retainer - Blade (old style).....	1
6	121722		Spring - Back lash (for old style shutters).....	1
15	122514		Snubber Lever Assembly.....	1
13	122518		Screw - Mechanism plate to long spacer.....	1
16	122519 O.S.	A C D	Spacer - Mechanism plate (long) (Intermediate style).....	1
16	122519 N.S.		Spacer - Mechanism plate (long) (new style).....	1
15	122647		Spring - Snubber.....	1
13	122677		Retainer - Blade (new style).....	1
4	122864	C D	Plate - Speed and diaphragm index.....	1
13	123014		Blade Assembly (.003 thick).....	1
1	123043	C D	Shutter Assembly (without lenses).....	1
9	123127		Screw - Synchro retard weight assembly.....	1
4	123352	C D	Washer - Shutter spacing.....	1
9,15	123658		Screw - Synchro retard pallet (1), Snubber lever (1).....	2
12	123982	C D	Bushing - Cable release.....	1
7	124067		Release Lever Assembly.....	1
8	124112	A D	Trigger Assembly.....	1
3	125217	B	Plate - Speed and diaphragm index.....	1
13	127811		Mechanism Plate and Blade Controller Assembly.....	1
17	127872		Kit Assembly (for replacing upper and lower retard gear plates and old style No. 3 pinion assembly).....	1
10	131821	B	Screw - Shutter locating.....	1
12	133302	C D	Setting Lever Cover Assembly.....	1
12	133365	B	Setting Lever Cover Assembly.....	1
2	HE800010	A	Front, Center and Rear Lens Assembly.....	1
2	HE800014	A	Focusing Mount Assembly.....	1
4	HE803700	C D	Front and Rear Lens Assembly.....	1
3	HE803760	B	Front and Rear Lens Assembly.....	1
4	HE803766	C D	Cap - Lens.....	1
3	HE803767	B	Insert - Adapter ring.....	1

*Old Style

EASTMAN KODAK COMPANY • ROCHESTER 4, N. Y.